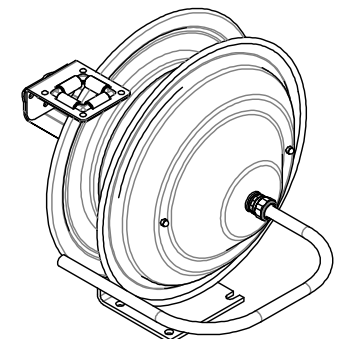
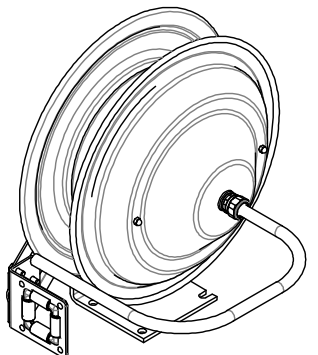


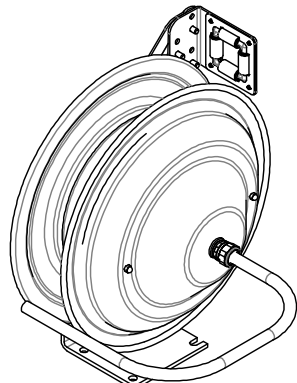
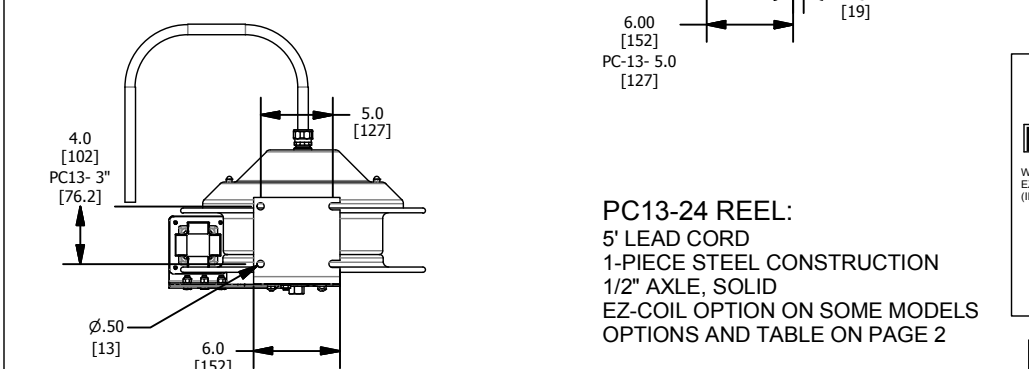
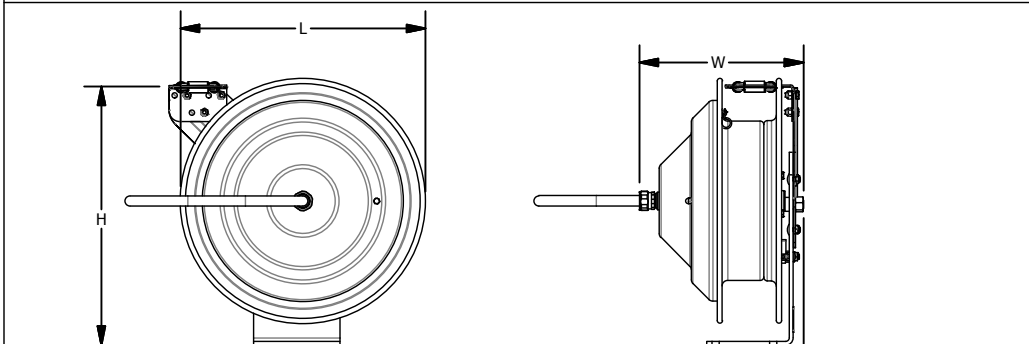
MOUNTING OPTIONS



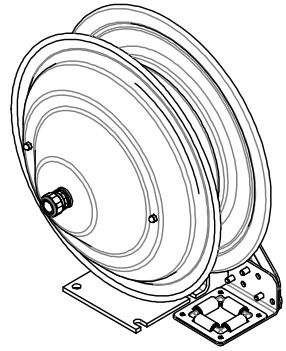
FLOOR-CEILING MOUNTING (STANDARD CONFIG)



BOTTOM-TRUCK MOUNT (-B)



WALL-TRUCK MOUNT (-W)



DOWN MOUNT (-D)

REEL MODEL	W in[mm]	H in[mm]	L in[mm]
PC13	8.5 [216]	14.87 [378]	13.5 [343]
PC17	11 [279]	18.62 [473]	17 [432]
PC19	10.1 [256]	21 [533]	19.5 [495]
PC24	10.25 [260]	25.5 [648]	24 [610]

PART NUMBER

CORD LENGTH (IN FT) ACCESSORY (SEE PAGE 2) COLOR MOUNTING:

EZ - PC XX - XXXX - X - * - X X X

W= EZ COIL (IF AVAIL) DISC DIAMETER: 10= 10" [254] 24=24" [610] AWG SIZE: 16 12 10 MOUNTING: X = FLOOR/CEILING W = WALL B = BOTTOM/ TRUCK D = DOWN

IF BXX, SUFFIX NOT REQUIRED
* - OMIT IF OPTION IS UNUSED

MATERIAL SPECIFICATIONS

COMPONENT	MATERIAL	OPTIONS
REEL	STEEL	-
BEARINGS	BRONZE, SELF LUBE	-
SLIP RING	3 WIRE	4 WIRE
VOLTAGE	115V	300V (BARE REEL)
LOCKING MECH	STEEL	BRASS (NON-SPARKING)
COVER	STEEL (BLACK)	-
FINISH	BLUE POWDER COAT (B)	RED(R), GREEN(N), WHITE(W), BLACK [WRINKLE(C)/GLOSS(K)], GREY(G)

UNLISTED OPTIONS & CUSTOM REELS

5865 S Ash Avenue Tempe, Az 85283
1-800-COX-REEL www.coxreels.com

COXREELS

NOT ALL OPTIONS ARE LISTED, CONTACT YOUR SALES REPRESENTATIVE OR FACTORY FOR ADDITIONAL OPTIONS & CUSTOM MODIFICATIONS

THIS DOCUMENT CONTAINS PROPRIETARY INFORMATION AND IS THE PROPERTY OF COXREELS, INC. THE COPYING, DISTRIBUTION AND UTILIZATION OF THIS DOCUMENT AS WELL AS COMMUNICATION OF ITS CONTENT TO OTHERS WITHOUT THE WRITTEN AUTHORIZATION OF COXREELS, INC., IS PROHIBITED.

TITLE: **PC SERIES**

DWG. NO.: **PC SERIES** REV. -

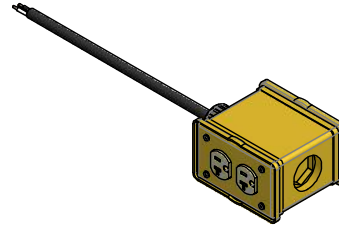
3RD ANGLE INTERPERT PER ASME : Y14.5M-1994 SIZE: **A**
DO NOT SCALE DWG. SHT: 1 OF: 2

PC10 DATA

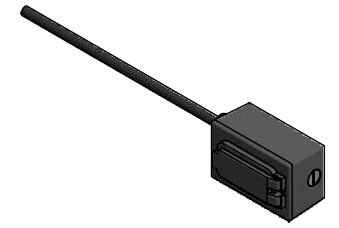
MODEL	ACCESSORY	GAUGE	VOLTS	AMPS	WEIGHT lbs[kg]
PC10 -3016-A	SINGLE RECEPTICLE	16	115	13	14 [6]
PC10-3012-A	SINGLE RECEPTICLE	12	115	20	17 [7]
PC10-3012-B	4-PLUG RECEPTICLE	12	115	20	18 [8]
PC10-3016-C	FLOURESCENT INDUSTRIAL LIGHT	16	115	.3	15 [6]
PC10-3016-D	FLOURESCENT ANGLE W/ PLUG	16	115	13	16 [6]
PC10-3016-E	BULB LIGHT W/ CAGE	16	115	13	14 [6]
PC10-3016-F	GFCI 2 PLUG RECEPT	16	115	13	16 [6]
PC10-3012-F	GFCI 2 PLUG RECEPT	12	115	20	19 [9]
PC10-3016-X	WITH CORD, NO ACCES	16	300	13	14 [6]
PC10-3012-X	WITH CORD, NO ACCES	12	300	20	18 [8]
PC10L-3016	NO CORD	16	300	13	11 [5]
PC10L-3012	NO CORD	12	300	20	11 [5]



SINGLE RECEPTICLE (-A)
SJO CORD



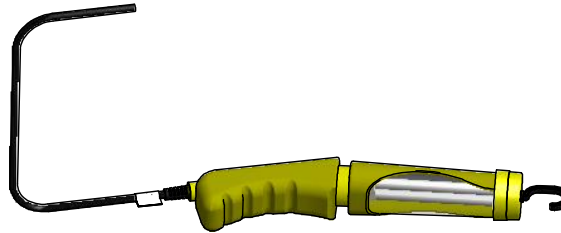
QUAD INDUSTRIAL
RECEPTICLE (-B)
SJO CORD



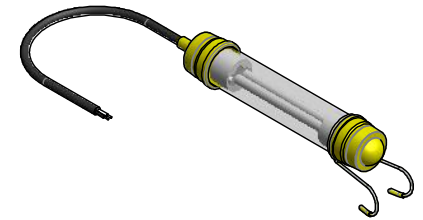
DUPLEX METAL GFCI (-F)
SJO CORD

PC13-PC24 DATA

MODEL	ACCESSORY	GAUGE	AMPS	WEIGHT lbs[kg]
PC13-3516-A	SINGLE RECEPTICLE	16	13	34 [15]
PC13-5016-A	SINGLE RECEPTICLE	16	13	36 [16]
PC19-7516-A	SINGLE RECEPTICLE	16	13	60 [27]
PC24-0016-A	SINGLE RECEPTICLE	16	13	73 [33]
PC13-3512-A	SINGLE RECEPTICLE	12	20	37 [17]
PC13-5012-A	SINGLE RECEPTICLE	12	20	40 [18]
PC19-7512-A	SINGLE RECEPTICLE	12	20	67 [30]
PC24-0012-A	SINGLE RECEPTICLE	12	20	81 [37]
PC13-3512-B	4-PLUG RECEPTICLE	12	20	38 [18]
PC13-5012-B	4-PLUG RECEPTICLE	12	20	41 [18]
PC19-7512-B	4-PLUG RECEPTICLE	12	20	68 [31]
PC24-0012-B	4-PLUG RECEPTICLE	12	20	84 [38]
PC13-3516-C	FLOURESCENT INDUSTRIAL LIGHT	16	.3	35 [15]
PC13-5016-C	FLOURESCENT INDUSTRIAL LIGHT	16	.3	37 [17]
PC24-0016-C	FLOURESCENT INDUSTRIAL LIGHT	16	.3	75 [34]
PC13-3516-D	FLOURESCENT ANGLE W/ PLUG	16	13	35 [16]
PC13-5016-D	FLOURESCENT ANGLE W/ PLUG	16	13	37 [17]
PC24-0016-D	FLOURESCENT ANGLE W/ PLUG	16	13	73 [33]
PC13-3516-E	BULB LIGHT W/ CAGE	16	13	34 [15]
PC13-5016-E	BULB LIGHT W/ CAGE	16	13	36 [16]
PC19-7516-E	BULB LIGHT W/ CAGE	16	13	60 [27]
PC24-0016-E	BULB LIGHT W/ CAGE	16	13	73 [33]
PC13-3516-F	GFCI 2 PLUG RECEPT	16	13	36 [16]
PC13-5016-F	GFCI 2 PLUG RECEPT	16	13	38 [17]
PC19-7516-F	GFCI 2 PLUG RECEPT	16	13	60 [27]
PC24-0016-F	GFCI 2 PLUG RECEPT	16	13	73 [33]
PC13-3512-F	GFCI 2 PLUG RECEPT	12	20	39 [18]
PC13-5012-F	GFCI 2 PLUG RECEPT	12	20	42 [19]
PC19-7512-F	GFCI 2 PLUG RECEPT	12	20	67 [30]
PC24-0012-F	GFCI 2 PLUG RECEPT	12	20	83 [38]
PC19-7516-X	WITH CORD (SJO), NO ACCESS	16	13	60 [27]
PC24-0016-X	WITH CORD (SJO), NO ACCESS	16	13	71 [32]
PC13-5012-X	WITH CORD (SJO), NO ACCESS	12	20	40 [18]
PC19-7512-X	WITH CORD (SJO), NO ACCESS	12	20	66 [30]
PC24-0012-X	WITH CORD (SJO), NO ACCESS	12	20	81 [37]
PC17-3510-X	WITH CORD (SJO), NO ACCESS	10	30	62 [28]
PC17-5010-X	WITH CORD (SJO), NO ACCESS	10	30	67 [30]
PC13L-5016	NO CORD	16	13	31 [14]
PC19L-7516	NO CORD	16	13	52 [24]
PC24L-0016	NO CORD	16	13	62 [28]
PC13L-5012	NO CORD	12	20	29 [13]
PC19L-7512	NO CORD	12	20	53 [24]
PC24L-0012	NO CORD	12	20	64 [29]
PC17L-5010	NO CORD	10	30	49 [22]

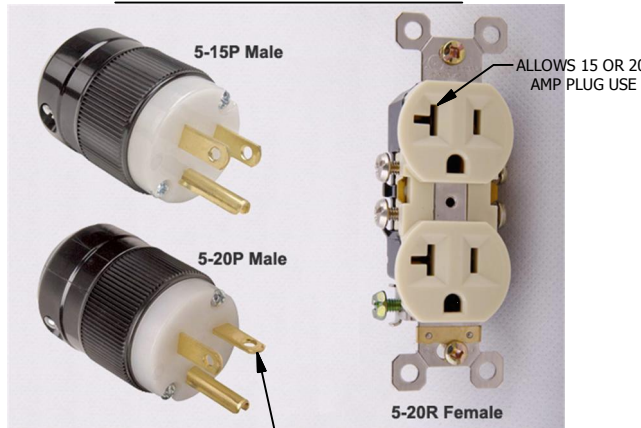


FLOURESCENT ANGLE LIGHT
SINGLE RECEPTICLE IN HANDLE (-D)
13w, 2-PIN, 120 Vac FL-TYPE BULB
SJTO CORD

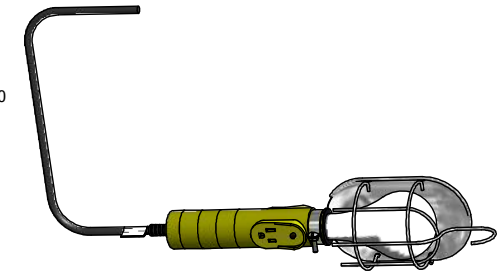


FLOURESCENT TUBE LIGHT
SHOCK/ SHATTER RESISTANT (-C)
120 VAC, .3 AMP, BULB- PL13CW
SJTO CORD

NEMA RECEPTACLES:



NOTE: 90 DEGREE
ROTATION



INCANDESCENT CAGED DROP LIGHT
WITH SINGLE RECEPTICLE (-E)
100W OR SMALLER BULB, CUSTOMER SUPPLIED
SJTO CORD

COXREELS
5865 S Ash Avenue Tempe, Az 85283
1-800-COX-REEL www.coxreels.com
THIS DOCUMENT CONTAINS PROPRIETARY INFORMATION AND IS THE PROPERTY OF COXREELS, INC. THE COPYING, DISTRIBUTION AND UTILIZATION OF THIS DOCUMENT AS WELL AS COMMUNICATION OF ITS CONTENT TO OTHERS WITHOUT THE WRITTEN AUTHORIZATION OF COXREELS, INC., IS PROHIBITED.

TITLE: PC SERIES		REV. -
DWG. NO.:	PC SERIES	SIZE: A
3RD ANGLE 	INTERPERT PER ASME : Y14.5M-1994 DO NOT SCALE DWG.	SHT:2 OF:2